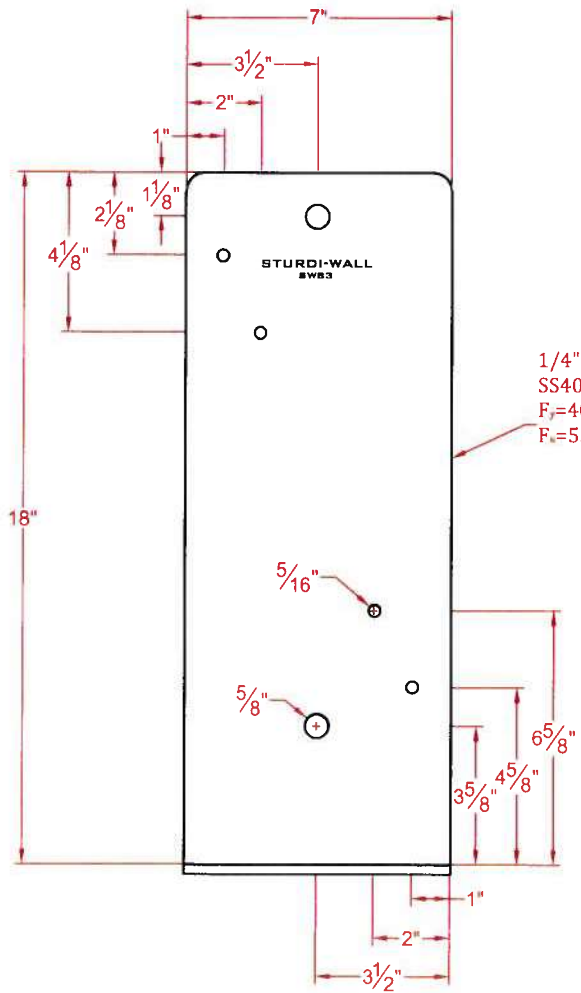
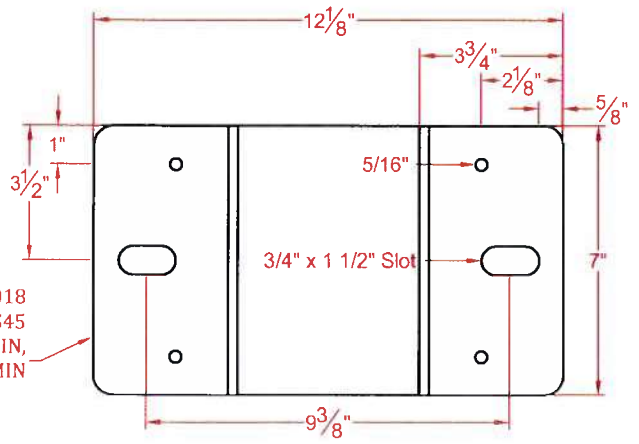
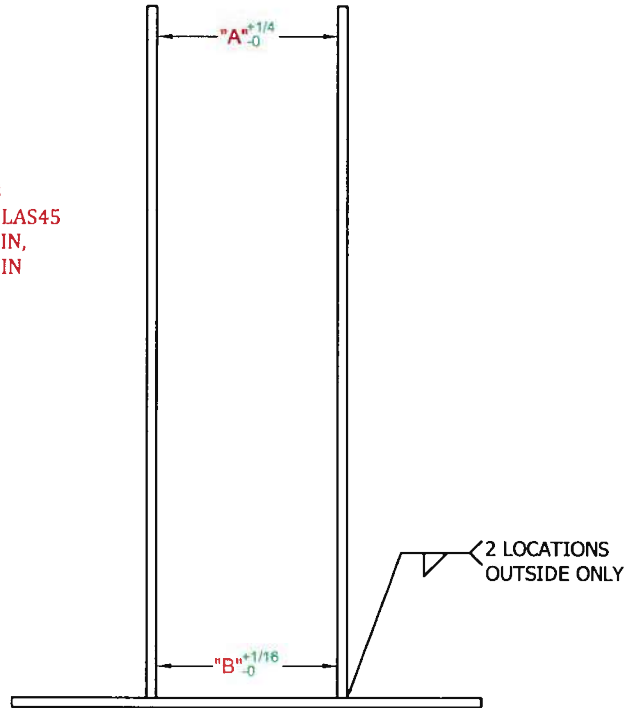


DIMENSION CHART				
	STD	GL	OT	RS
A	4 5/8"	4 3/16"	4 3/8"	N/A
B	4 5/8"	4 3/16"	4 3/8"	N/A

PLT QTY: 64
(4 LAYERS OF 16)



1/4" A1018
SS40 OR HSLAS45
F_y=40KSI MIN,
F_t=55KSI MIN



1/4" A1018
SS40 OR HSLAS45
F_y=40KSI MIN,
F_t=55KSI MIN

SERIES: SW	TOLERANCES (EXCEPT AS NOTED)	
PART#: SW83	DECIMAL:	HOLES ± .015 DIMENSIONS ± .030
SCALE: N/A	FRACTIONAL:	± 1/8"
DRAWN BY: BRM	ANGULAR:	± 1°
REVISD BY: EB	DATE: 02/08/2012	
APPROVED BY: KD	DATE: 07/11/2018	(REV) 4
SHEET 1 OF 1		
PERMA-COLUMN, LLC		
THE INFORMATION HEREON IS THE PROPERTY OF PERMA-COLUMN, INC. WITHOUT WRITTEN PERMISSION, ANY COPYING, TRANSMITTAL TO OTHERS, AND ANY USE EXCEPT THAT FOR WHICH IT IS LOANED, IS PROHIBITED.		
STURDI-WALL COLUMN BASE 3-PLY 8" LAM COL		