

ROTTED POSTS? PERMANENT SOLUTIONS



Don't let deteriorated wood compromise your structure.

- Fast and permanent post repair
- Durable, economical, proven
- Two replacement methods



REPAIR. REPLACE.

TWO PERMANENT SOLUTIONS FOR ROTTED WOOD POSTS

When you discover rotted wood has undermined your post-frame building's foundation, restore its structural stability using one of our two replacement methods.

Perma-Column® solution

Remove post

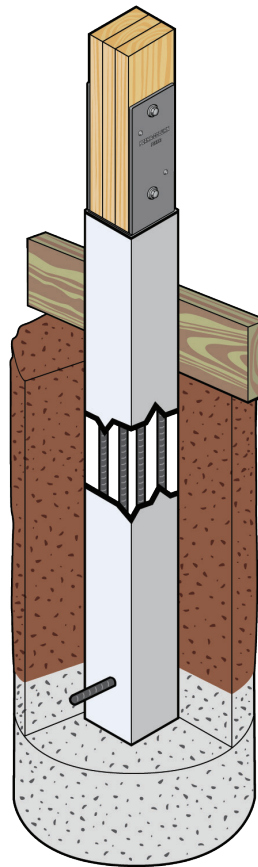
1. Locate rotted post to be replaced.
2. Detach siding and remove existing skirt board.
3. Dig down next to face and sides of rotted post with auger.
4. Support truss with brace and hydraulic jack.
5. Cut rotted post off at ground level. No measuring necessary at this point.
6. Remove rotted portion of post.

Prepare for new post

1. Clean out post hole to provide a level, compacted base for the pre-cast concrete pad. Sakrete or ready mix concrete can also be used for post base.
2. Install pad and measure Perma-Column® for exact clearance needed. Note: Perma-Column® length may vary.
3. Mark existing post and cut to desired clearance for Perma-Column® installation.

Install Perma-Column®

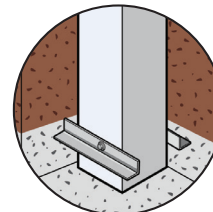
1. Install and position Perma-Column®.
2. Install 1/4" x 3" wood screws. Drill and install 1/2" Grade 5 bolts. Length will vary based on model purchased.
3. Reattach siding and skirt board.



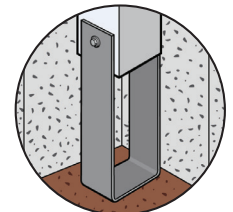
Available in 7 models

- PC4600 fits 4" x 6" solid post
- PC6300 fits 3-Ply 6" column*
- PC6400 fits 4-Ply 6" column*
- PC6600 fits 6" x 6" solid post
- PC8300 fits 3-Ply 8" column*
- PC8400 fits 4-Ply 8" column*
- PC8500 fits 5-Ply 8" column*

*Nail or glu lam column



OPTIONAL
UPLIFT ANCHORS



OPTIONAL
COLUMN EXTENDER

Uplift kits and hardware sold separately.



Perma-Column® precast columns can restore your building's structural integrity

RESTORE.



Sturdi-Wall® Plus solution

Remove post

1. Dig soil away from rotted post.
2. Inspect treated lower board for decay; it may need to be replaced.
3. Brace rotted post by fastening a support beam under truss and lifting with an adequate-sized jack.
4. Make sure brace and jack assembly are installed safely and securely.

Attach Sturdi-Wall® Plus bracket

1. Saw off rotted post approximately 3 inches below top of treated baseboard.
2. Remove rotted section of post.
3. Clean out all loose dirt from bottom of hole.
4. Tamp bottom of hole to ensure a solid base for poured concrete in Step 3.
5. Attach Sturdi-Wall® Plus bracket to bottom of post.
6. Install 1/4" x 3" wood screws. Drill and install 1/2" Grade 5 bolts. Length will vary based on model purchased.

Pour concrete

1. Use treated baseboard as outside form.
2. Install additional forming around base of Sturdi-Wall® Plus using plywood. Form should extend 2 to 3 inches beyond post on three sides and flush with baseboard.
3. Pour concrete to base of form and allow concrete to firm up slightly.
4. After previous pour has firmed, pour concrete to top of form (base of the bracket). Rod and tap concrete to ensure a completely consolidated fill under bracket. Do not over vibrate or aggregate will settle.
5. Remove brace and jack assembly after approximately 12 hours. Do not bump or fully load repaired post for 30 days.

Hardware sold separately.

Building renovation is hazardous and should only be performed by a construction professional.

STURDI-WALL
ANCHOR BRACKETS

Available in 8 models

SWP46 fits a 4" x 6" solid post

SWP63 fits 3-Ply 6" column*

SWP64 fits 4-Ply 6" column*

SWP66 fits 6" x 6" solid post

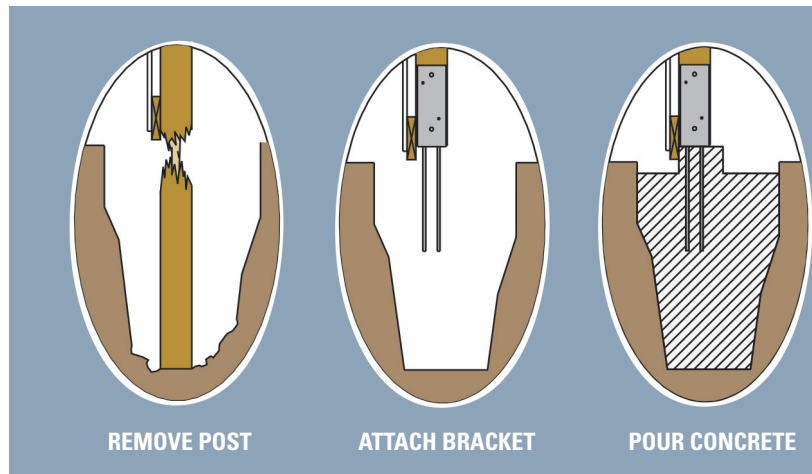
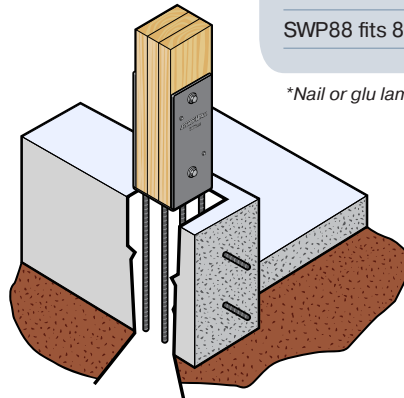
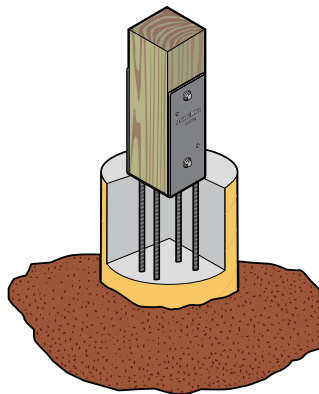
SWP83 fits 3-Ply 8" column*

SWP84 fits 4-Ply 8" column*

SWP85 fits 5-Ply 8" column*
or 8" x 8" solid post

SWP88 fits 8" x 8" architectural post

*Nail or glu lam column



PRAISE FOR PERMA-COLUMN®

Tom Fulton

Huntington (Indiana) County Fair Board



“We found that all the posts on our 100-by-110-foot show area were nearly or completely rotted off below the ground. That much rot on treated wood was surprising in a building that is just 20 years old. After we did the work, it’s like we have a new building.”

Steve Cramer

Findlay, Ohio



“We have a 22-year-old pole barn and had been watching the condition of the poles for roughly a year. Nothing appeared abnormal above ground, but when we dug the wooden poles out we found that nearly all of them were well over 50 percent gone. This was an accident waiting to happen.

“When we first saw Perma-Column, we knew that was our answer. They proved to be a cost- and time-effective means of solving our problem. Today we have a building that, in essence, has a concrete foundation with no wood in the ground.”

Find a Perma-Column® distributor near you:

www.permacolumn.com



400 Carol Ann Lane, Ossian, IN 46777 | Tel: 800 622-7190 | Fax: 260 622-7192

© 2019 Perma-Column, LLC All rights reserved.